



eptarefrigeration

**PLUG-IN POWER**



# SVABA



Meat



Cheese



Dairy products



Fruits and Vegetables



Drinks



Frozen food



Ventilated



Electric defrost



LED lighting



Free maintenance condenser



High efficiency fans



Medium & Low temperature



Electronic controller

[www.epta-asiapacific.com](http://www.epta-asiapacific.com)



epta refrigeration

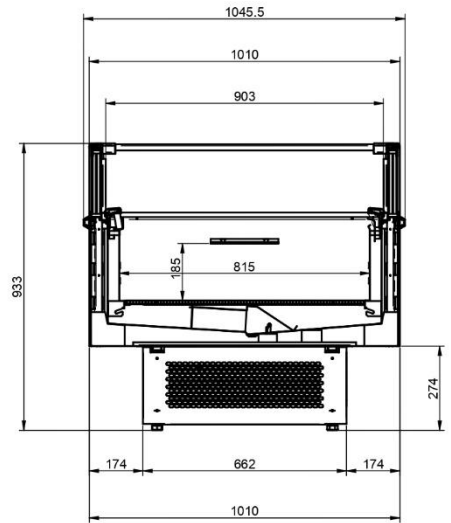
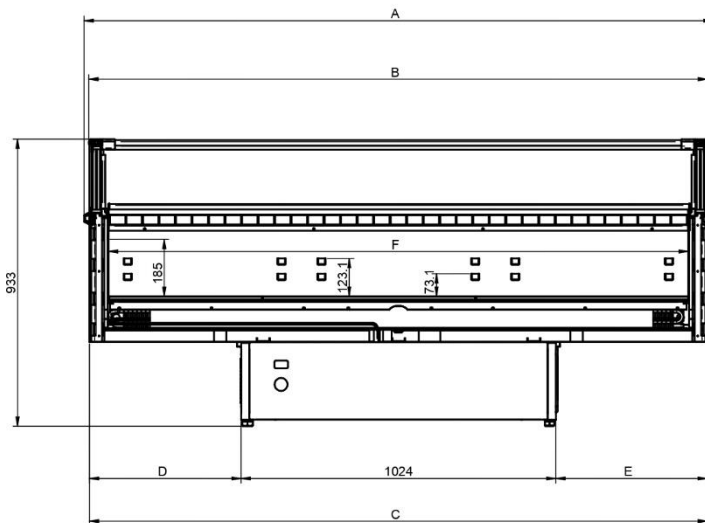
**PLUG-IN POWER**



## TECHNICAL DETAILS

Model	Cabinet dimension L x W x H	Volume in litres		Operating temperature	Refrigerant
		Gross	Net		
Svaba 150 1C	1545 x 1046 x 933	265	209	-10°/-15°C   +5°/-1°C	R507A/R404A/R290
Svaba 200 1C	2045 x 1046 x 933	362	284	-10°/-15°C   +5°/-1°C	R507A/R404A/R290

Model	Packing dimension L x W x H	Quantity on container		Cooling system	Defrosting system
		20'	40'HQ		
Svaba 150 1C	1642 x 1142 x 1130	14	28	Ventilated	Automatic
Svaba 200 1C	2142 x 1142 x 1130	10	22	Ventilated	Automatic



Model	A	B	C	D	E	F
Svaba 150	1545	1515	1509	243	242	1386
Svaba 200	2045	2015	2009	493	492	1886

## ACCESSORIES



	STD	OPT
Wired base	●	
Electronic thermometer	●	
Wheels		●



epta refrigeration

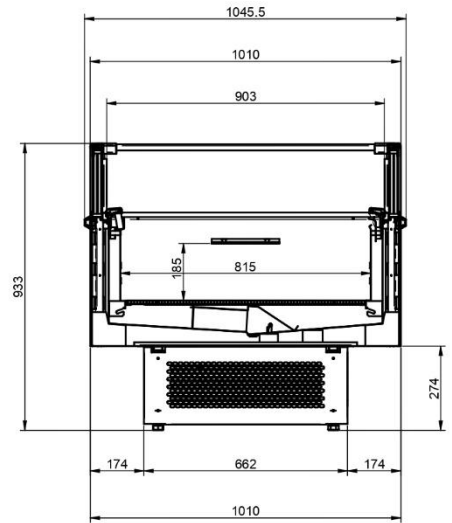
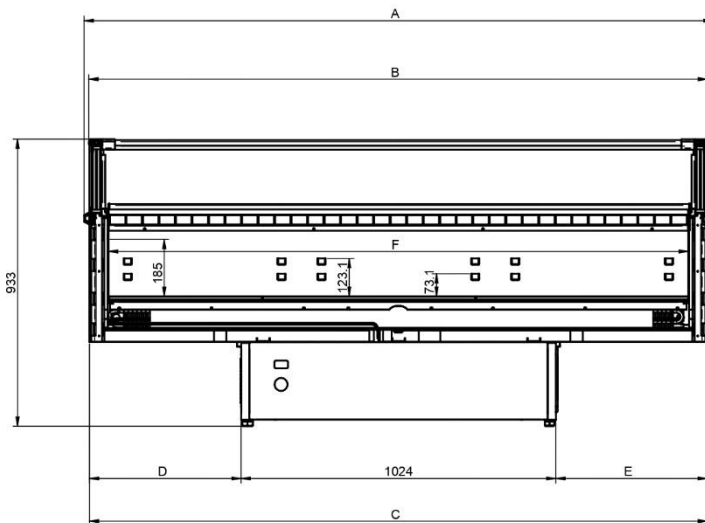
**PLUG-IN POWER**



## TECHNICAL DETAILS

Model	Cabinet dimension L x W x H	Volume in litres		Operating temperature	Refrigerant
		Gross	Net		
Svaba 150 2C	1545 x 1046 x 933	265	209	-18°/-25°C   +5°/-1°C	R507A/R404A/R290
Svaba 200 2C	2045 x 1046 x 933	362	284	-18°/-25°C   +5°/-1°C	R507A/R404A/R290

Model	Packing dimension L x W x H	Quantity on container		Cooling system	Defrosting system
		20'	40'HQ		
Svaba 150 2C	1642 x 1142 x 1130	14	28	Ventilated	Automatic
Svaba 200 2C	2142 x 1142 x 1130	10	22	Ventilated	Automatic



Model	A	B	C	D	E	F
Svaba 150	1545	1515	1509	243	242	1386
Svaba 200	2045	2015	2009	493	492	1886

## ACCESSORIES

	STD	OPT
Wired base	●	
Electronic thermometer	●	
Wheels		●