



PLUG-IN POWER



eptarefrigeration

STELLA



STELLA 200



Frozen food



Incorporated
condensing
unit



Static



Manual
defrost



Compressor
Hermetic
Reciprocating

www.iarp-plugin.com



PLUG-IN POWER

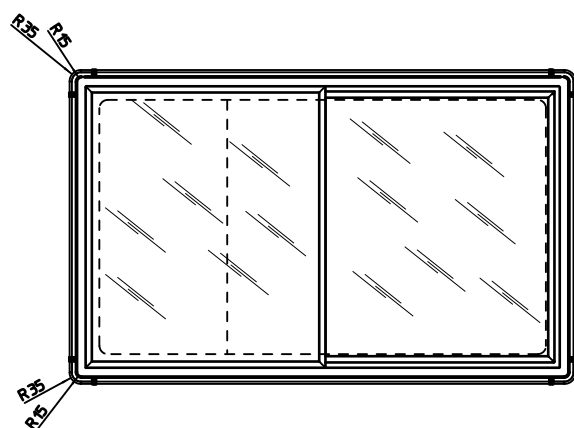


eptarefrigeration

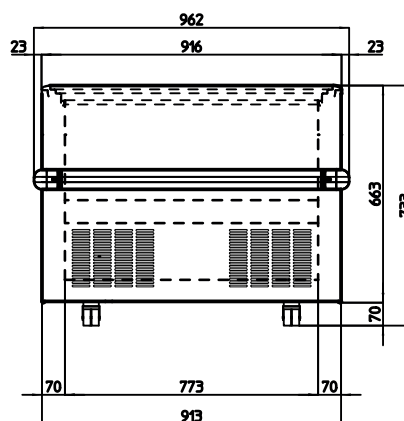
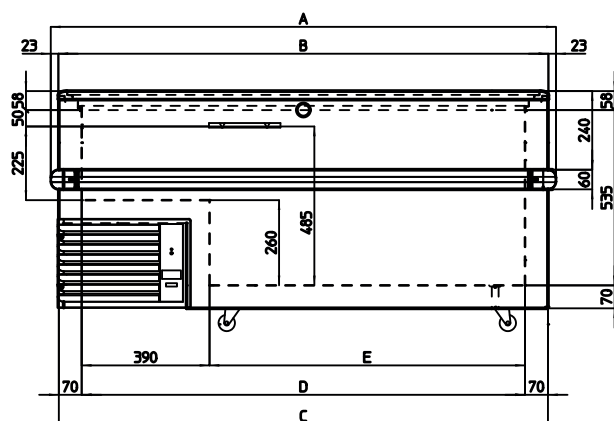
TECHNICAL DETAILS



Model	Dimensions L x W x H	Volume in litres		Operating temperature	Energy consumption Kwh/24h	Q.ty on 20' container	Q.ty on 40' HQ container	Packaging L x W x H
		Gross	Net					
Stella 150	1547x967x753	528	435	-25/-15° C	5,7	12	42	1640x1030x840
Stella 200	2047x967x753	751	625	-25/-15° C	6,4	10	33	2140x1030x840
Stella 250	2547x967x753	974	814	-25/-15° C	8,2	8	24	2640x1030x840



Cooling system	Static
Refrigerant gas	R404a/R290/R507
Defrost system	Manual



ACCESSORIES



	STD	OPT
Customized graphic		●
Basket and divider		●
Analogic thermometer	●	
Lockable wheels	●	
Digital thermometer		●