

MAESTRO



Meat



Chicken



Delicatessen



Cheese



Dairy products



Gastronomy



Ventilated



Incorporated
condensing
unit



Remote
condensing
unit



Electric Defrost



Off-cycle
defrost



High efficiency
fan



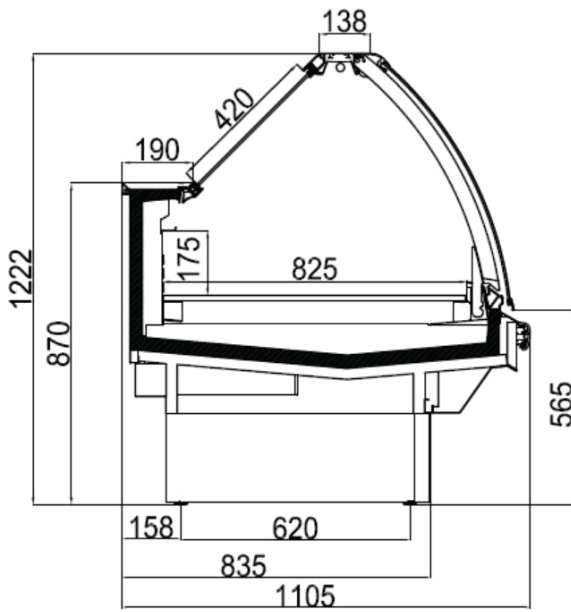
LED lighting

RANGE

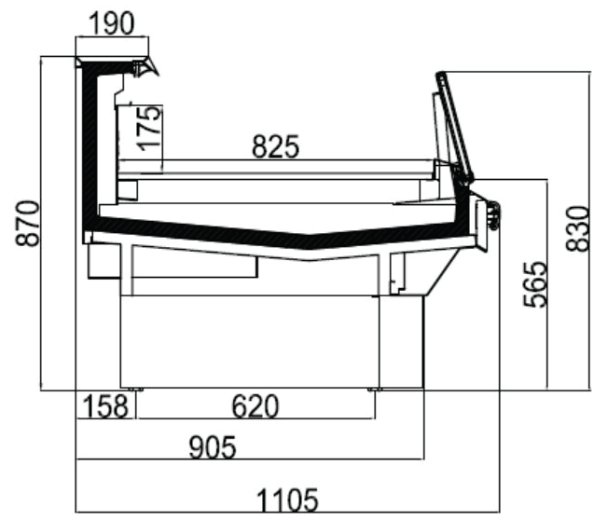
Model		Length without ends (mm)	Display area (m ²)	Volume (m ³)
MAESTRO	RCA	940	0.57	0.14
		1250	0.76	0.18
		1880	1.13	0.27
		2500	1.51	0.36
		3750	2.27	0.54
		MAA45	0.43	0.07
		MAA90	0.86	0.14
	CS	1250	0.76	0.18
		1880	1.13	0.27
		2500	1.51	0.36
		3750	2.27	0.54
	LS	940	0.78	0.13
		1250	1.04	0.18
		1880	1.56	0.27
		2500	2.08	0.36
3750		3.11	0.54	
MAA45		0.63	0.07	
MAA90		1.26	0.14	
MAC90	1.26	0.28		

End Panel Thickness			
MAESTRO	without Bumper	Glass End	38 mm
		Glass End with Stainless Steel internal	38 mm
MAESTRO RCA	Intermediated	Glass End	20 mm
		Crystal End	10 mm

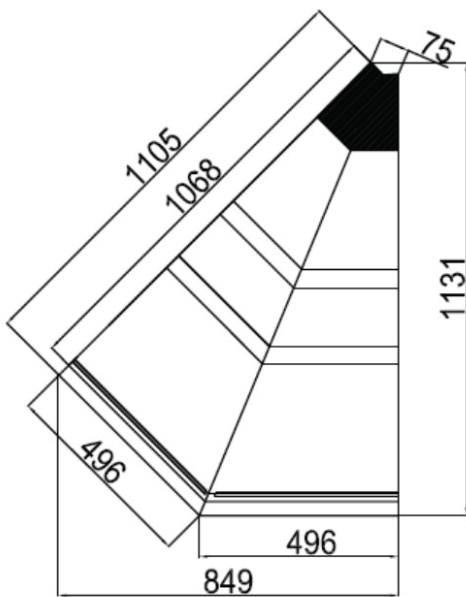
CROSS SECTIONS



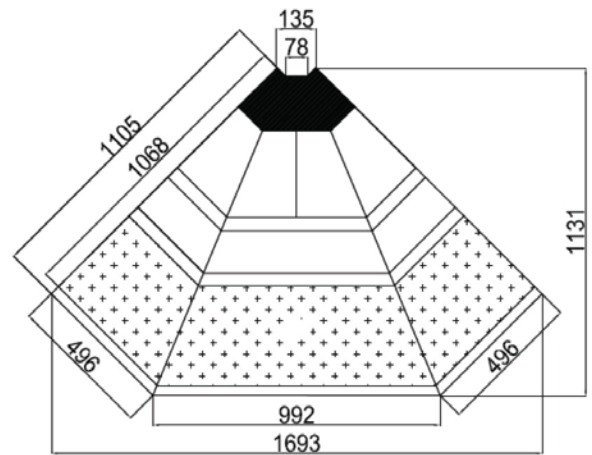
MAESTRO RCA



MAESTRO LS

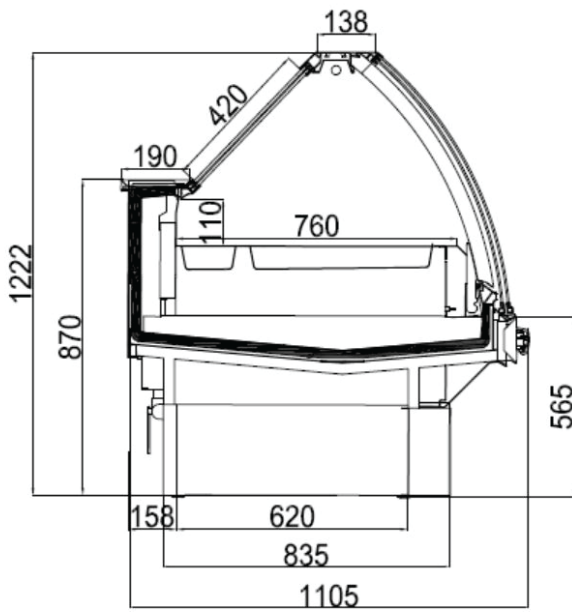


MAESTRO MAA45

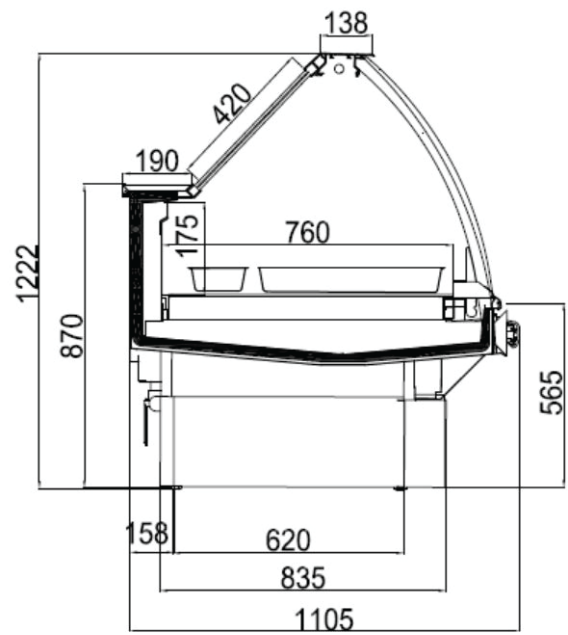


MAESTRO MAA90

CROSS SECTIONS



MAESTRO STEAM HOT RCA



MAESTRO DRY HOT RCA