

MELO HOT



Serve-over for display and preservation of **Hot Food**.



Gastronomy



Pizza



Chicken



Ventilated

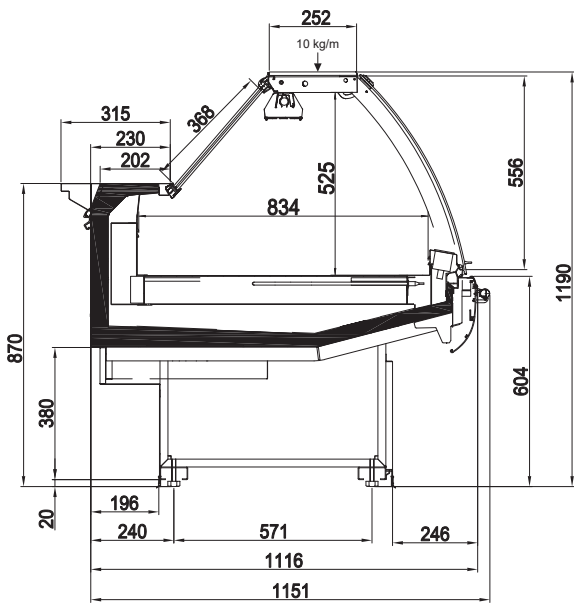
RANGE

Model	Length without Ends (mm)	Display Area (m ²)	Volume (m ³)	Front Facing (mm)
MELO RCA Dry Hot	1250	1.06	0.24	556
	1875	1.59	0.35	556
	2500	2.13	0.47	556
MELO RDA Dry Hot	1250	1.06	0.24	538
	1875	1.59	0.35	538
	2500	2.13	0.47	538

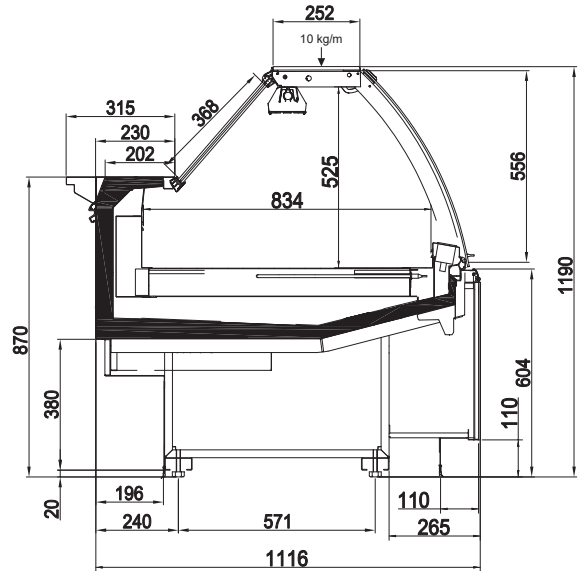
Model	Length without Ends (mm)	Display Area (m ²)	Volume (m ³)	Front Facing (mm)
MELO RCA Steam Hot	1250	0.89	0.08	556
	1875	1.34	0.12	556
	2500	1.79	0.15	556
MELO RDA Steam Hot	1250	0.89	0.08	538
	1875	1.34	0.12	538
	2500	1.79	0.15	538

End Panel Thickness		
STANDARD Aesthetics	Glass End	22 mm
	Blind End	40 mm
DESIGN Aesthetics	Glass End	35 mm
	Blind End	40 mm

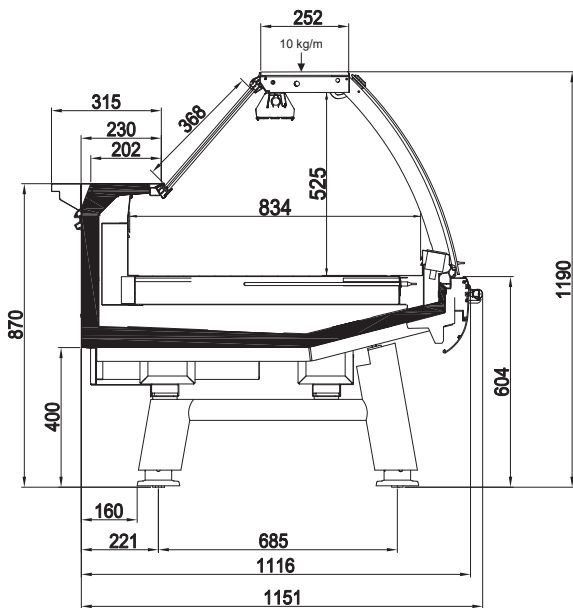
CROSS-SECTIONS



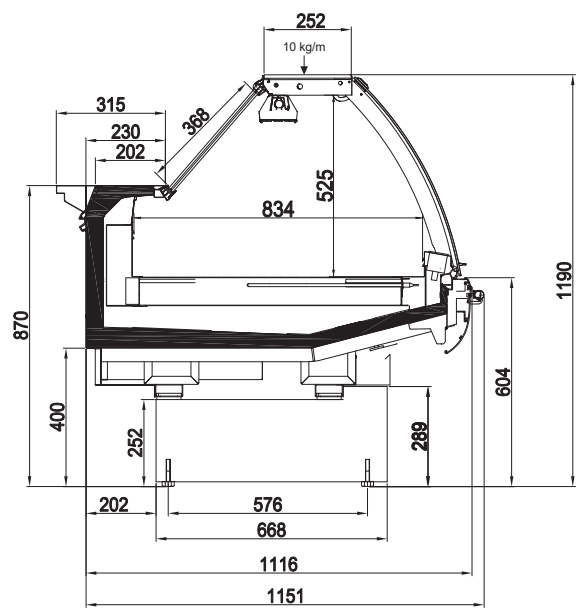
Dry Hot RCA BC



Dry Hot RCA Design

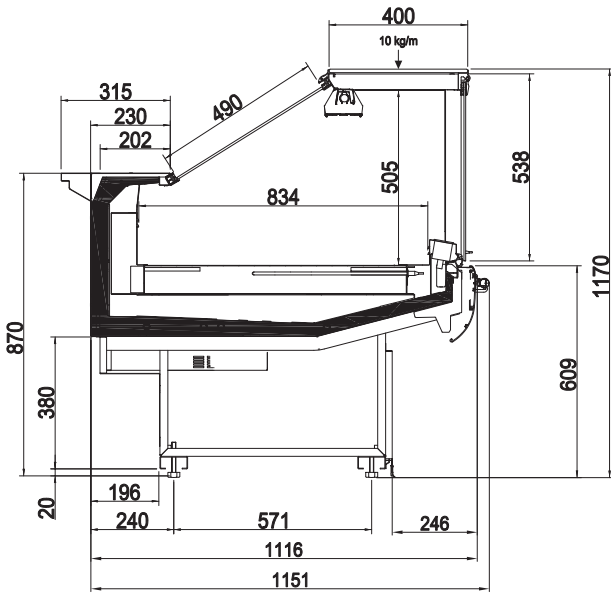


Dry Hot RCA SB Slim

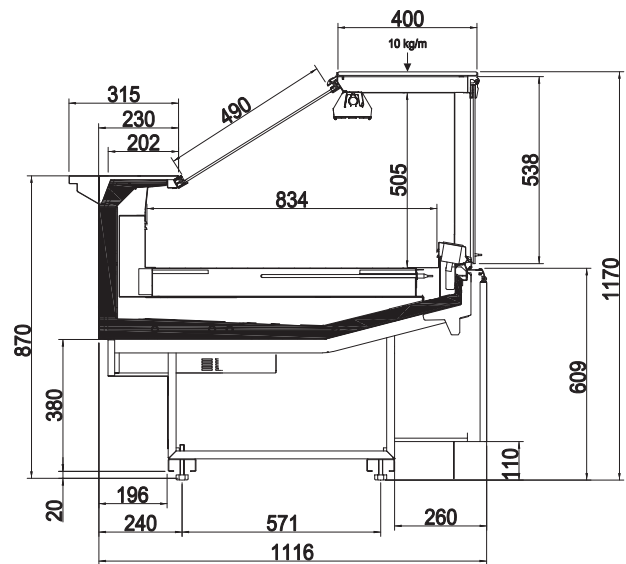


Dry Hot RCA SB Oval

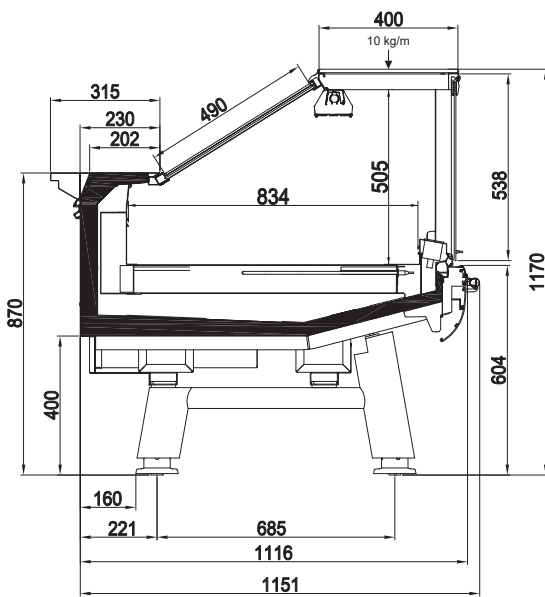
CROSS-SECTIONS



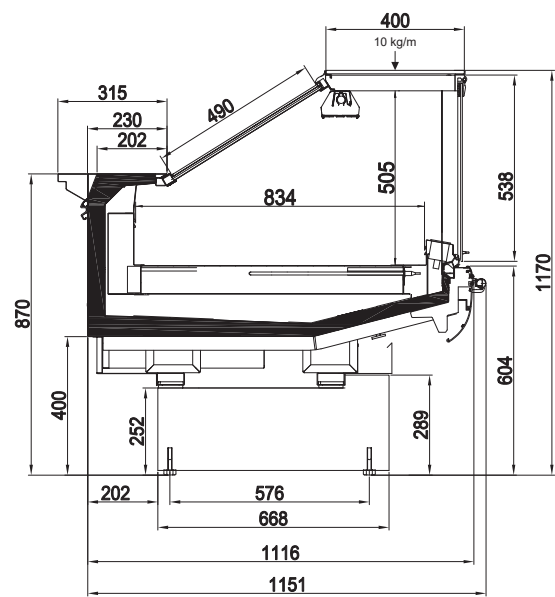
Dry Hot RDA BC



Dry Hot RDA Design

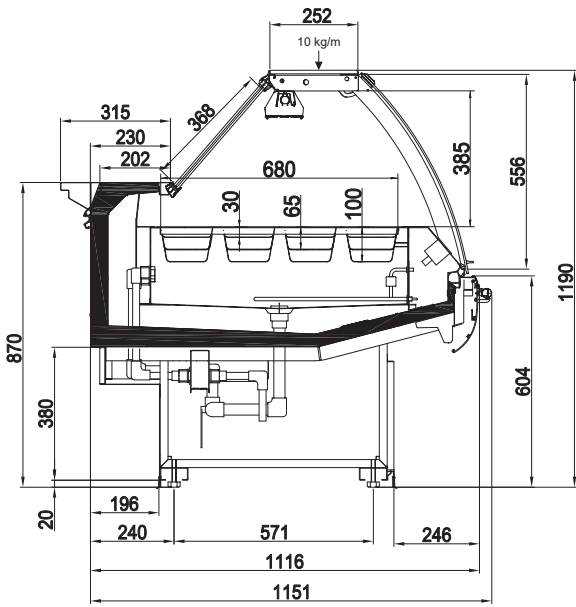


Dry Hot RDA SB Slim

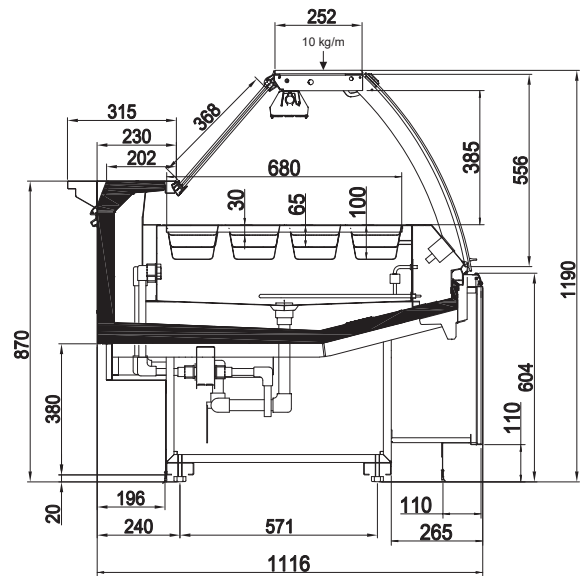


Dry Hot RDA SB Oval

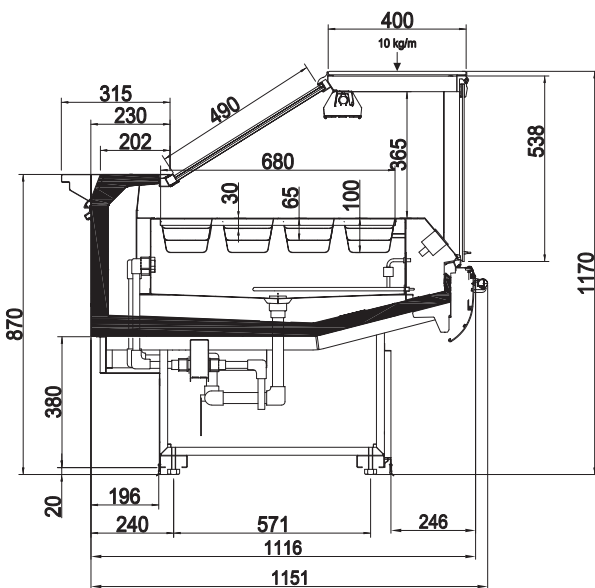
CROSS-SECTIONS



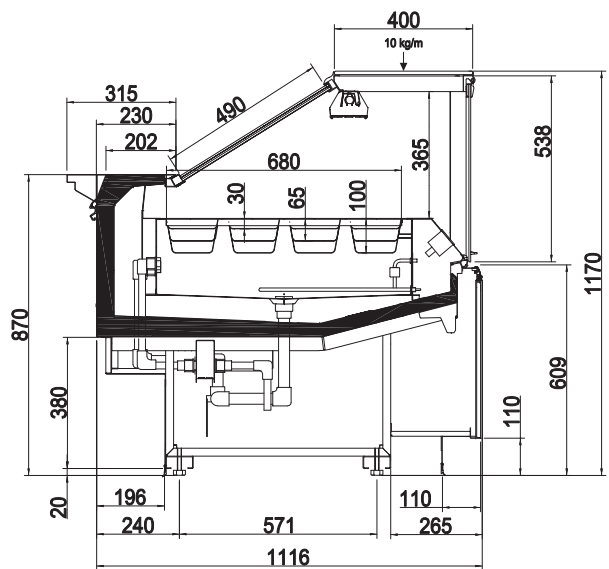
Steam Hot RCA BC



Steam Hot RCA Design

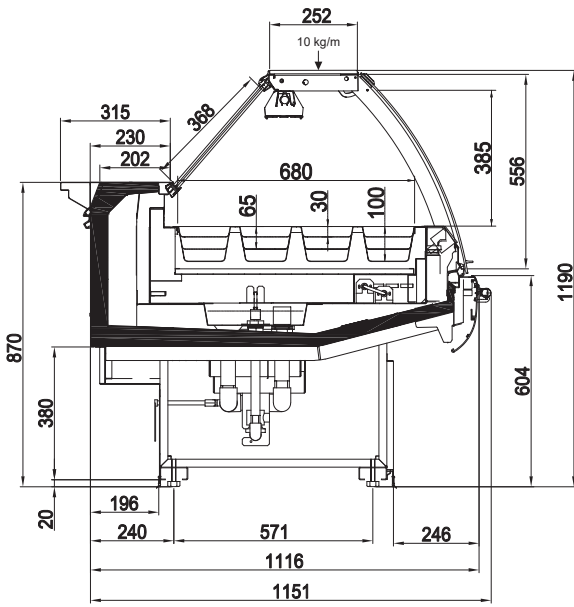


Steam Hot RDA BC

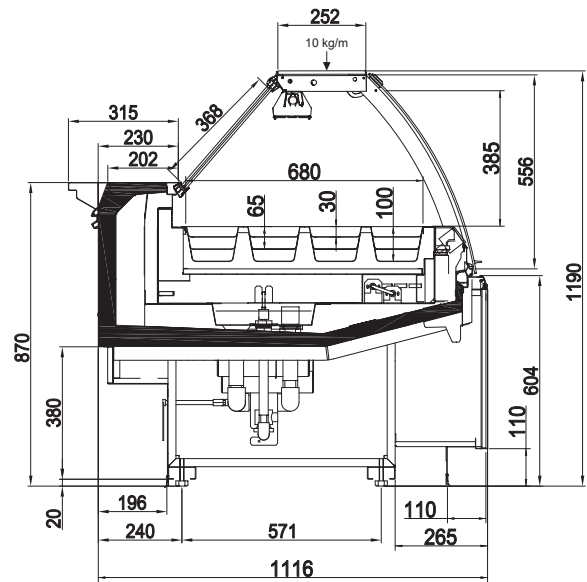


Steam Hot RDA Design

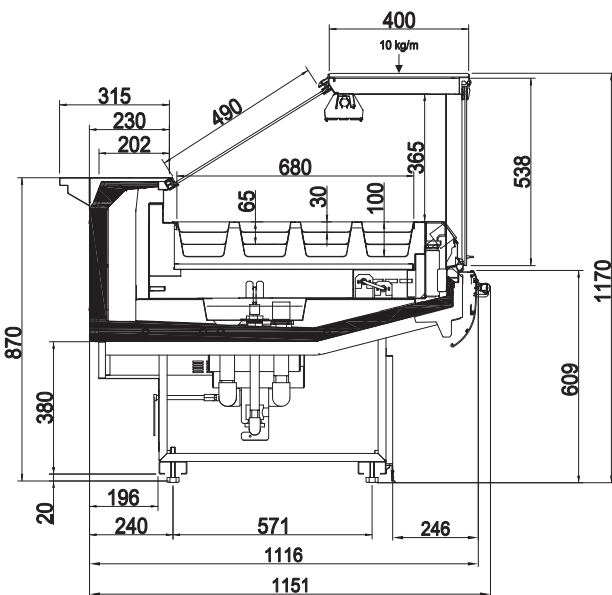
CROSS-SECTIONS



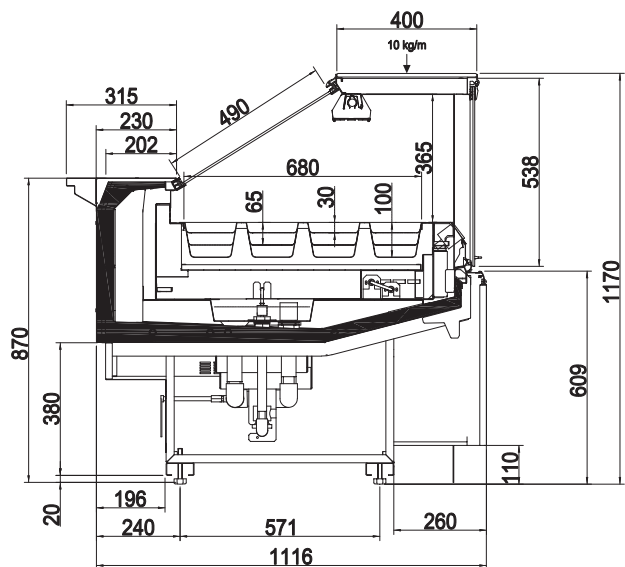
Steam Hot Vent. RCA BC



Steam Hot Vent. RCA Design



Steam Hot Vent. RDA BC



Steam Hot Vent. RDA Design