



eptarefrigeration

PLUG-IN POWER



KREA



Frozen food



Electronic controller



Static



Hot-gas defrosting system



LED lighting



Free maintenance condenser



High efficiency fans

www.epta-asiapacific.com



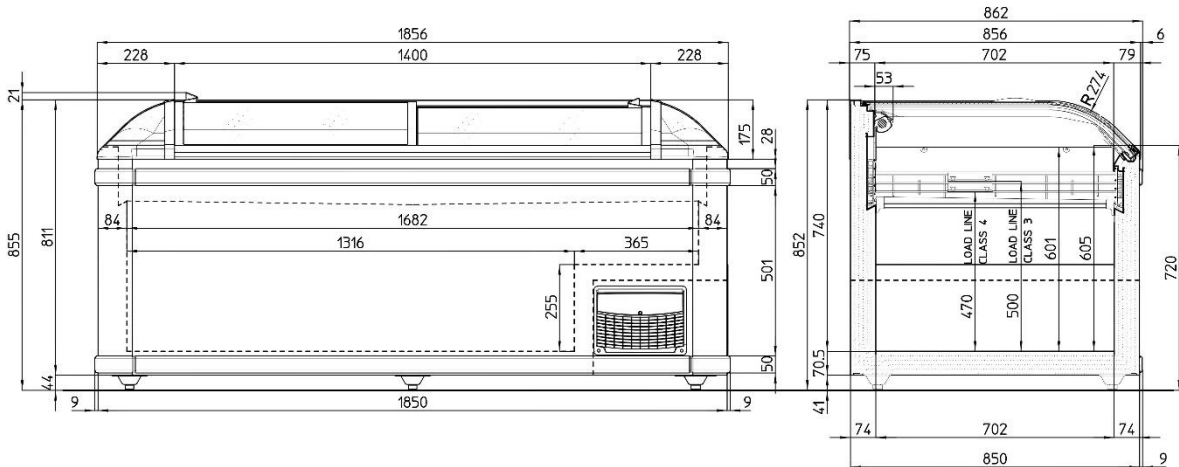
eptarefrigeration

PLUG-IN POWER



TECHNICAL DETAILS

Model	Dimension L x W x H	Volume in litres		Operating temperature	Refrigerant
		Gross	Net		
Krea 190	1868 x 862 x 872	805	525	-15°/-25°C	R507A/R404A/R290
Model	Packing dimension L x W x H	Q'ty on container		Cooling system	Defrosting system
		20'	40'		
Krea 190	1990 x 980 x 1010	10	24	Static	Automatic



ACCESSORIES

	STD	OPT
Electronic controller	●	
Colored bumper		●
Basket support		●
Basket		●
Customized graphic		●



epta refrigeration

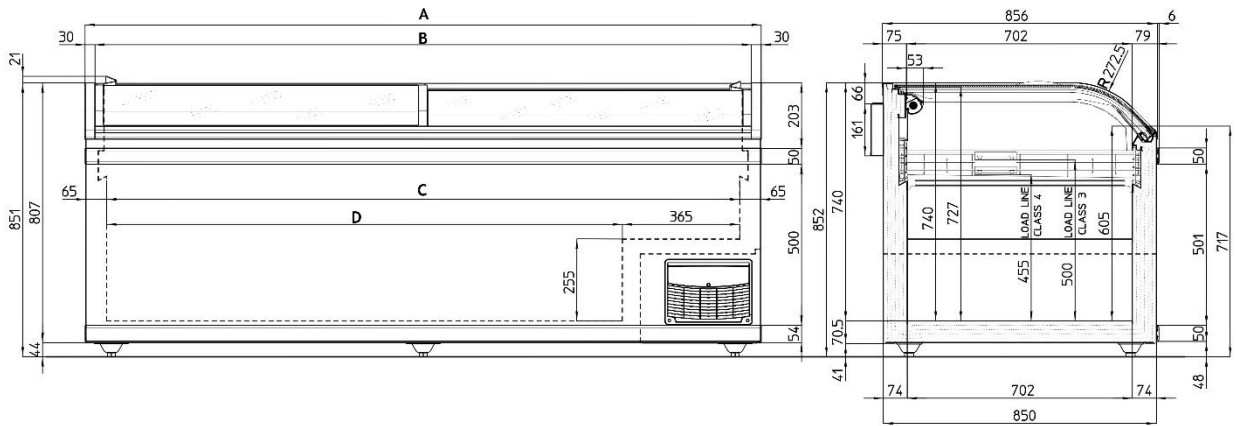
PLUG-IN POWER



TECHNICAL DETAILS

Model	Dimension L x W x H	Volume in litres		Operating temperature	Refrigerant
		Gross	Net		
Krea 220	2105 x 899 x 872	950	668	-15°/-25°C	R507A/R404A/R290
Krea 260	2505 x 899 x 872	1172	767	-15°/-25°C	R507A/R404A/R290

Model	Packing dimension L x W x H	Q'ty on container		Cooling system	Defrosting system
		20'	40'		
Krea 220	2230 x 980 x 1010	10	24	Static	Automatic
Krea 260	2630 x 980 x 1010	8	16	Static	Automatic



Model	A	B	C	D
Krea 220	2105	2045	1971	1606
Krea 260	2505	2445	2371	2006

ACCESSORIES

	STD	OPT
Electronic controller	●	
Colored bumper		●
Basket support		●
Basket		●
Customized graphic		●