



eptarefrigeration

PLUG-IN POWER



KREA PBL



Frozen food



Electronic controller



Static



Hot-gas defrosting system



LED lighting



Free maintenance condenser



High efficiency fans

www.epta-asiapacific.com



epta refrigeration

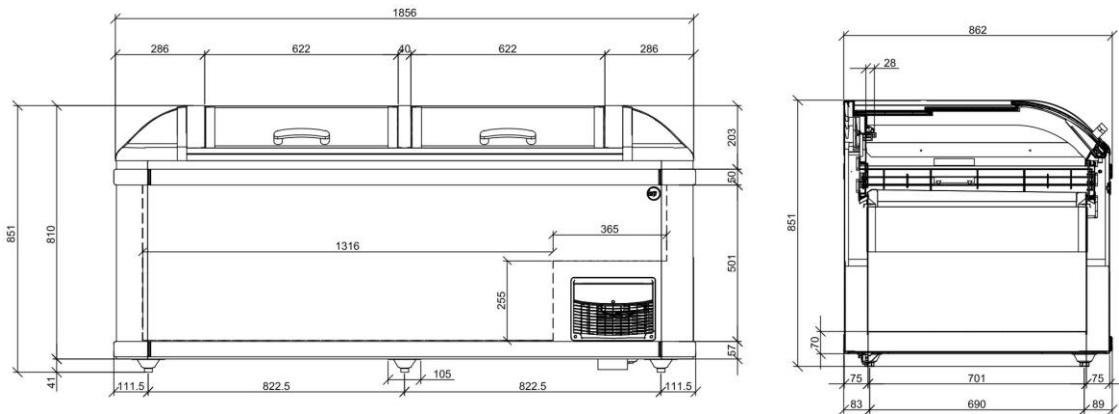
PLUG-IN POWER



TECHNICAL DETAILS

Model	Dimension L x W x H	Volume in litres		Operating temperature	Refrigerant
		Gross	Net		
Krea 190 PBL	1868 x 862 x 851	805	525	-15°/-25°C	R507A/R404A/R290

Model	Packing dimension L x W x H	Q'ty on container		Cooling system	Defrosting system
		20'	40'		
Krea 190 PBL	1985 x 980 x 1010	12	24	Static	Automatic



ACCESSORIES

	STD	OPT
Electronic controller	●	
Colored bumper		●
Basket support		●
Basket		●
Customized graphic		●



epta refrigeration

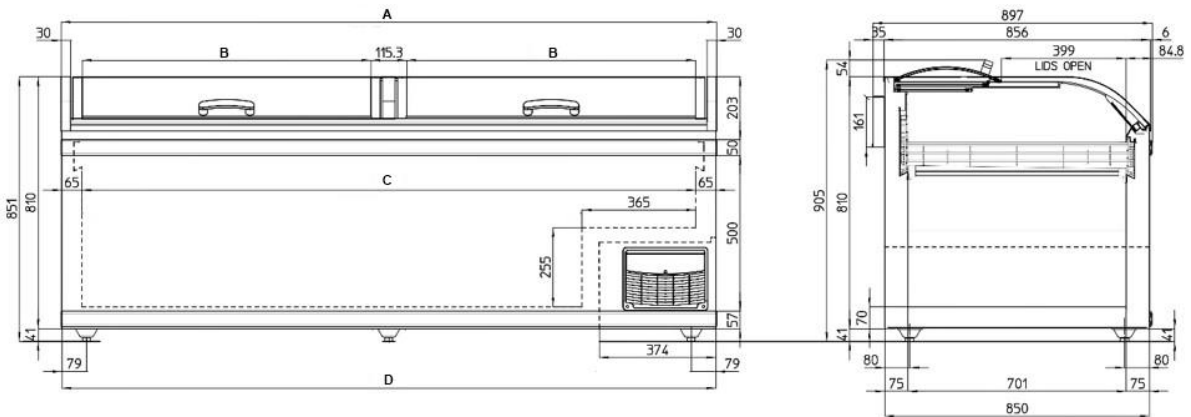
PLUG-IN POWER



TECHNICAL DETAILS

Model	Dimension L x W x H	Volume in litres		Operating temperature	Refrigerant
		Gross	Net		
Krea 220 PBL	2105 x 899 x 851	950	668	-15°/-25°C	R507A/R404A/R290
Krea 260 PBL	2505 x 899 x 851	1172	767	-15°/-25°C	R507A/R404A/R290

Model	Packing dimension L x W x H	Q'ty on container		Cooling system	Defrosting system
		20'	40'		
Krea 220 PBL	2230 x 980 x 1010	12	24	Static	Automatic
Krea 260 PBL	2630 x 980 x 1010	8	16	Static	Automatic



Model	A	B	C	D
Krea 220 PBL	2105	927.2	1971	2100
Krea 260 PBL	2505	1127.2	2371	2500

ACCESSORIES

	STD	OPT
Electronic controller	●	
Colored bumper		●
Basket support		●
Basket		●
Customized graphic		●



epta refrigeration

PLUG-IN POWER

