



eptarefrigeration

PLUG-IN POWER



KREA 260.9 PBL



Frozen food



Electronic controller



Static



Hot-gas defrosting system



LED lighting



Free maintenance condenser



High efficiency fans

www.epta-asiapacific.com



epta refrigeration

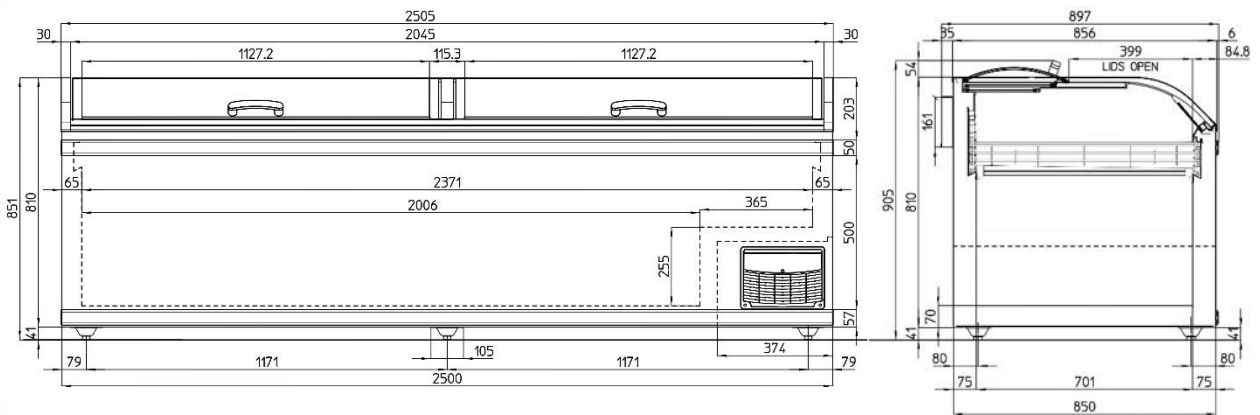
PLUG-IN POWER



TECHNICAL DETAILS

Model	Dimension L x W x H	Volume in litres		Operating temperature	Refrigerant
		Gross	Net		
Krea 260.9 PBL	2505 x 899 x 872	1172	767	-15°/-25°C	R507A/R404A/R290

Model	Packing dimension L x W x H	Q'ty on container		Cooling system	Defrosting system
		20'	40'		
Krea 260.9 PBL	2630 x 990 x 1010	8	16	Static	Automatic



ACCESSORIES

	STD	OPT
Electronic controller	●	
Colored bumper		●
Basket support		●
Basket		●
Customized graphic		●