



PLUG-IN POWER



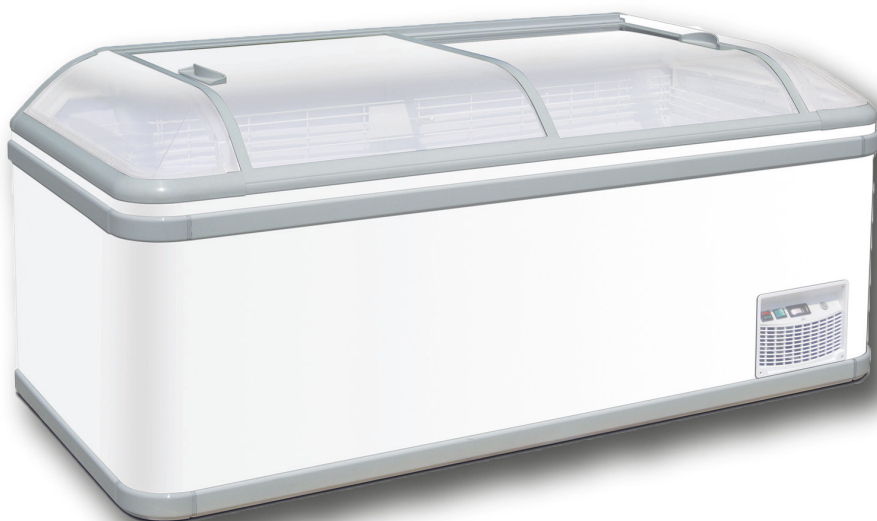
eptarefrigeration

# KREA



KREA 220.9  
260.9

KREA 190.9



Frozen food



LED lighting



Incorporated  
condensing  
unit



Static



Hot-gas  
defrosting  
system



Free  
maintenance  
condenser



Compressor  
Hermetic  
Reciprocating

[www.iarp-plugin.com](http://www.iarp-plugin.com)



**PLUG-IN POWER**

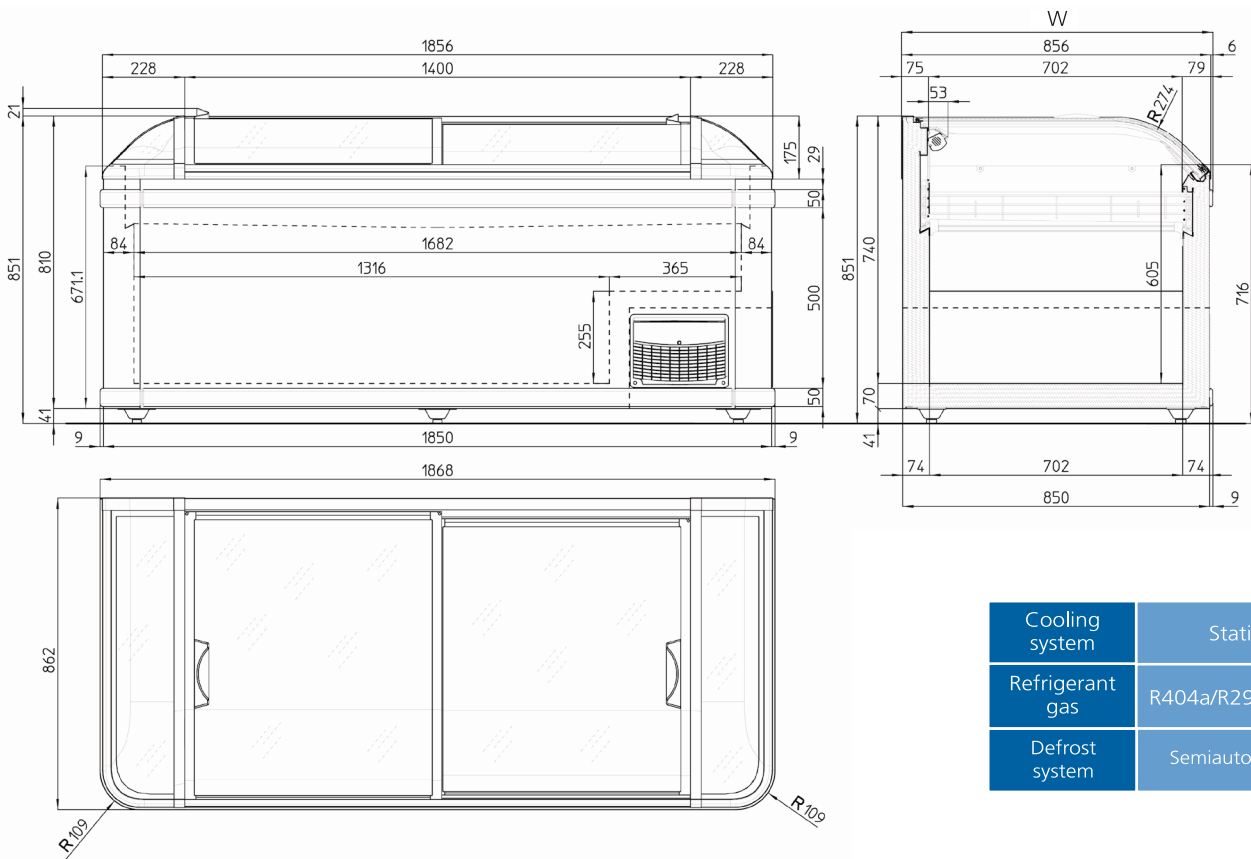


**eptarefrigeration**

## TECHNICAL DETAILS



Model	Dimensions L x W x H	Volume in litres		Operating temperature	Energy consumption Kwh/24h	Q.ty on 20' container	Q.ty on 40' container	Packaging L x W x H
		Gross	Net					
Krea 190.9	1868x862x872	805	525	-25/-15° C	6,9	10	24	1985x980x1005
Krea 220.9	2105x899x872	950	668	-25/-15° C	6,6	10	24	2225x980x1010
Krea 260.9	2505x899x872	1172	767	-25/-15° C	7,7	8	16	2625x980x1010



Cooling system	Static
Refrigerant gas	R404a/R290/R507
Defrost system	Semiautomatic

## ACCESSORIES



	STD	OPT
Customized graphic		●
Coloured bumper		●
Basket support (3/4/5 pcs. per cabinet)		●
Basket (6/7/8 pcs per cabinet)		●