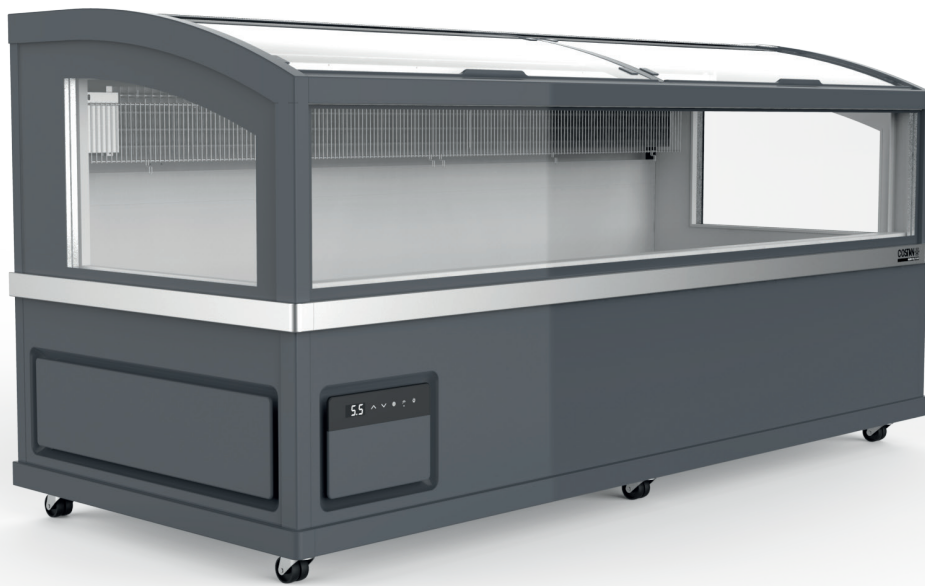


GLIDE



Frozen food



Static



Electric
defrost



Electronic
controller



LED lighting
(LIDS)

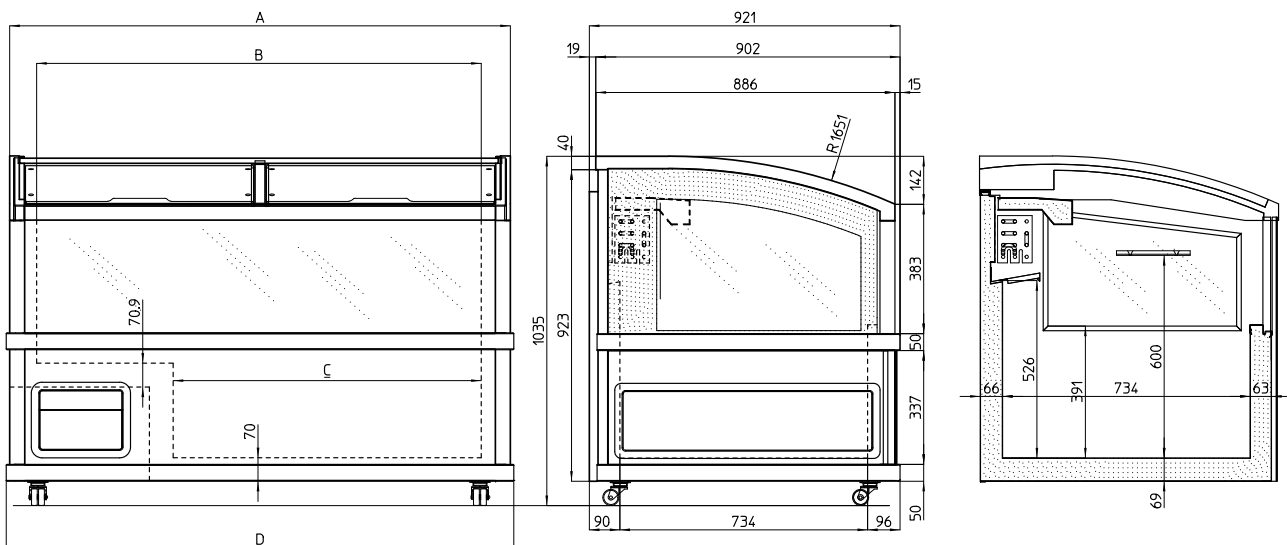


High
efficiency
fans

TECHNICAL DETAILS

Model	Dimension L x W x H	Volumes in litres		Operating temperature
		Gross	Net	
Glide 210	2148x921x1035	1242	794	-25°/-15°C
Glide 250	2548x921x1035	1512	972	-25°/-15°C

Model	Cooling system	Refrigerant gas	Defrost system
Glide 210	Static	R404A/R507/R290	Automatic
Glide 250	Static	R404A/R507/R290	Automatic



Model	A	B	C	D
Glide 210	2128	1967	1562	2148
Glide 250	2528	2367	1962	2548

ACCESSORIES

	STD	OPT
Basket or dividers		•
Electronic controller	•	
Adjustable feet	•	
High efficiency fan	•	