

DAWN ECO



Ice cream



Ventilated



Remote
condensing
unit



Electric Defrost

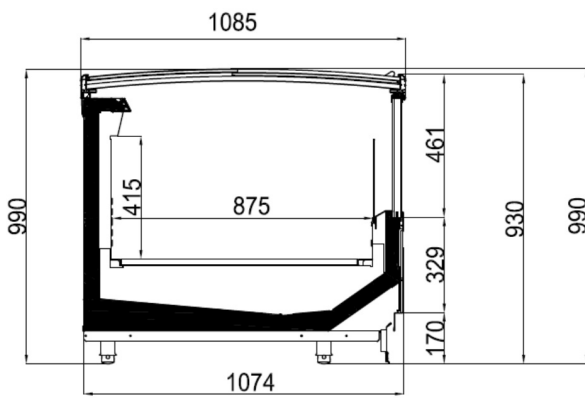


High efficiency
fan

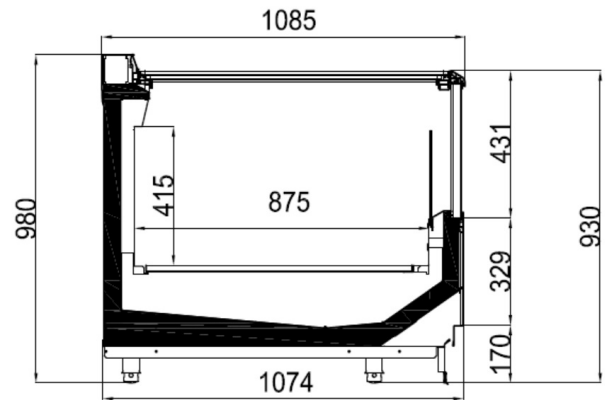


LED lighting

CROSS SECTIONS



DAWN ECO (CURVED)



DAWN ECO (FLAT)