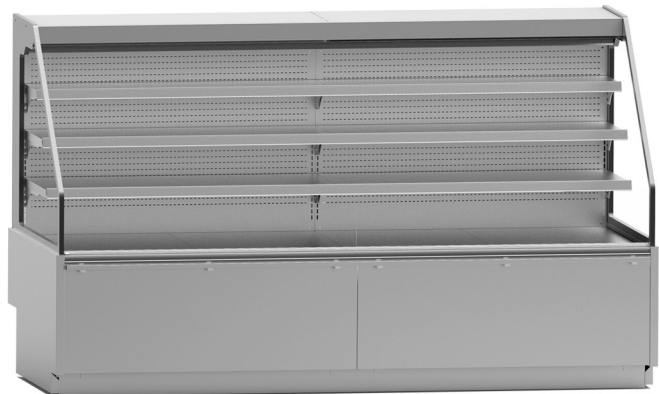
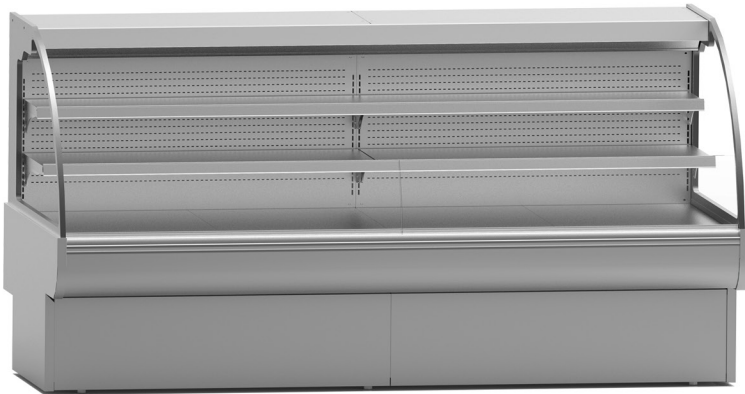


BORA SV



Open semi-vertical chiller for Fresh Food.

Features excellent merchandising and great layout flexibility with its various lengths and angles.



Meat



Cheese



Delicatessen



Chicken



LED lighting



High efficiency fans



Ventilated



Electric defrost



Off-cycle defrost



Incorporated condensing unit



Remote condensing unit



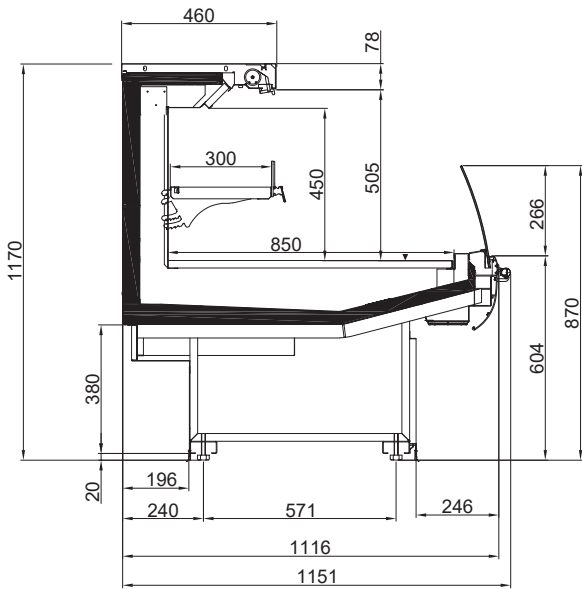
EptaBlue

RANGE

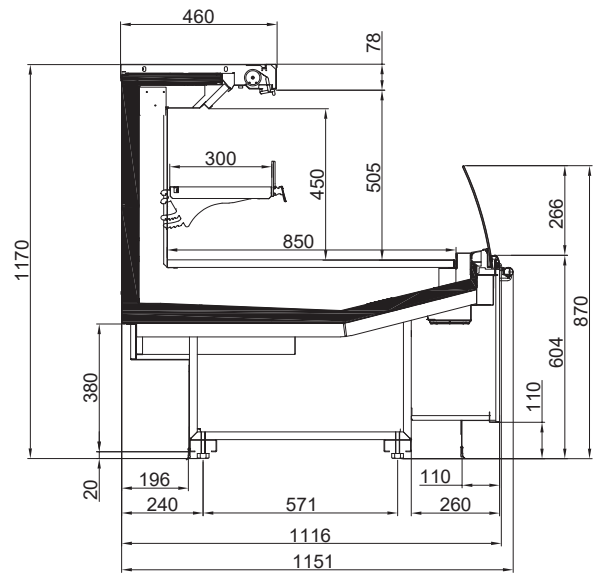
Model		Length without Ends (mm)	Display Area (m ²)	Volume (m ³)
BORA SV	H12	1250	1.05	0.30
		1875	1.58	0.45
		2500	2.10	0.60
		3750	3.15	0.90
		MAA45	1.07	0.18
		MAA90	2.14	0.34
		MAC45	1.07	0.18
	H13	1250	1.21	0.35
		1875	1.82	0.53
		2500	2.43	0.71
		3750	3.64	1.06
		MAA45	1.25	0.22
		MAA90	2.50	0.45
		MAC45	1.25	0.22
	H15	1250	1.46	0.46
		1875	2.19	0.69
		2500	2.92	0.92
		3750	4.37	1.37
		MAA45	1.54	0.30
		MAA90	3.08	0.60
		MAC45	1.54	0.30

End Panel Thickness		
STANDARD Aesthetics	Glass End	35 mm
	Blind End	40 mm
DESIGN Aesthetics	Glass End	35 mm
	Blind End	40 mm

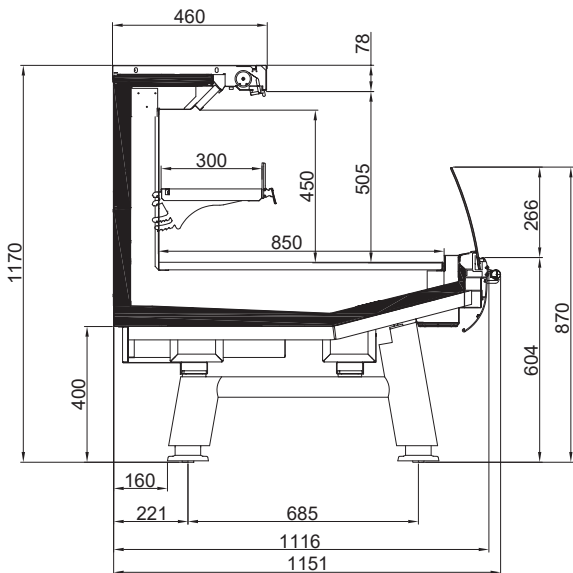
CROSS-SECTIONS



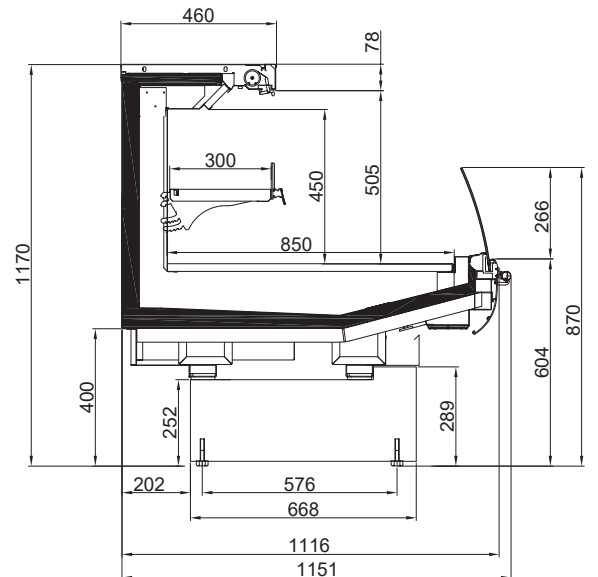
SV 12 LS-C BC



SV 12 LS-C Design

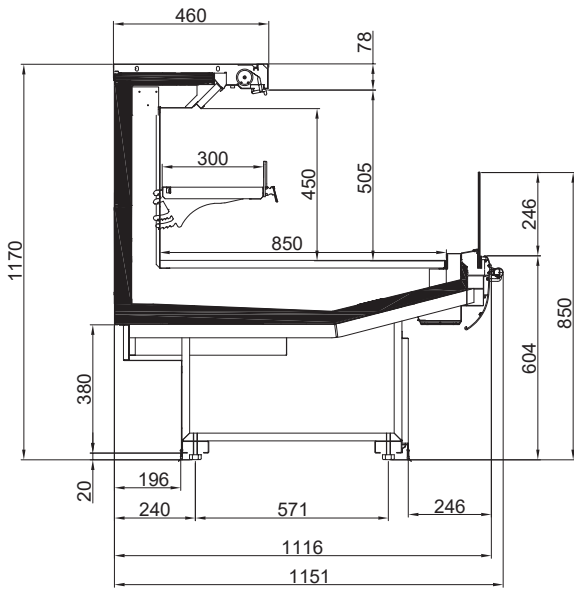


SV 12 LS-C SB Slim

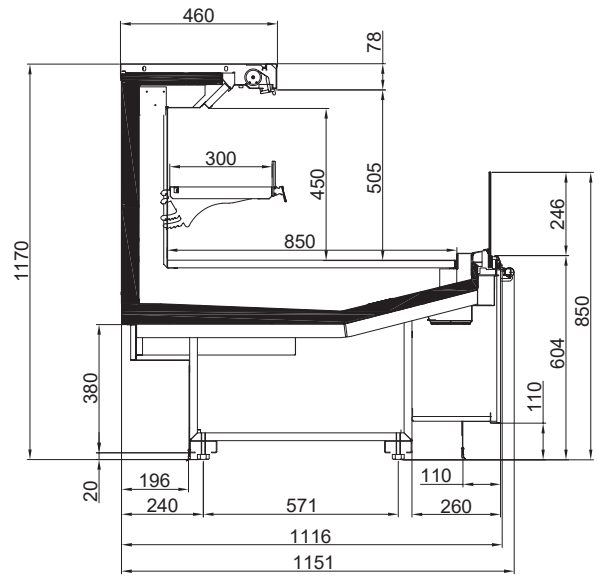


SV 12 LS-C SB Oval

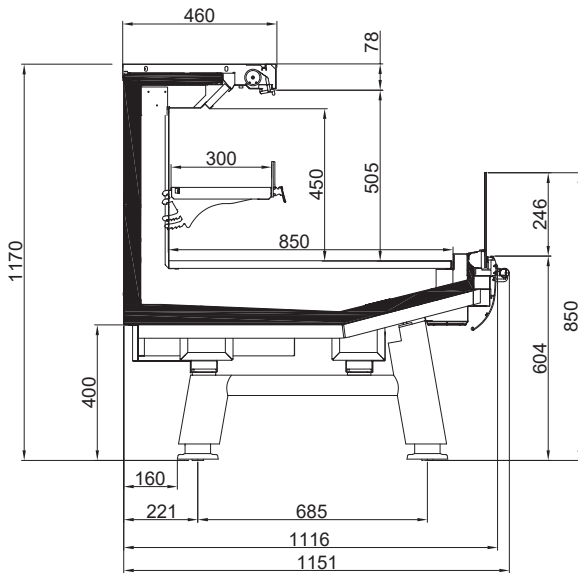
CROSS-SECTIONS



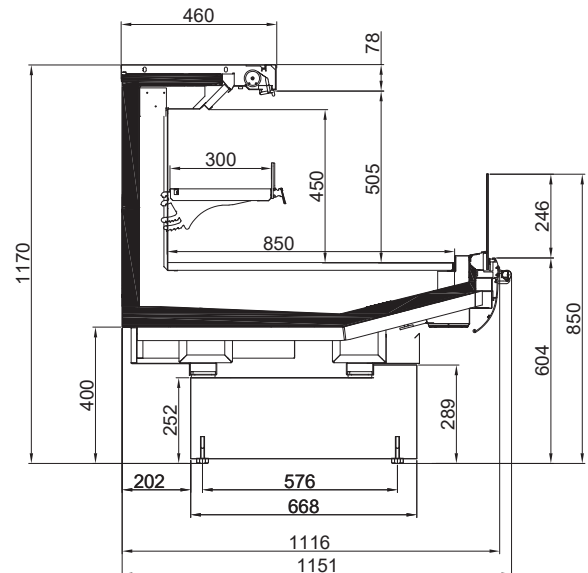
SV 12 LS-D BC



SV 12 LS-D Design

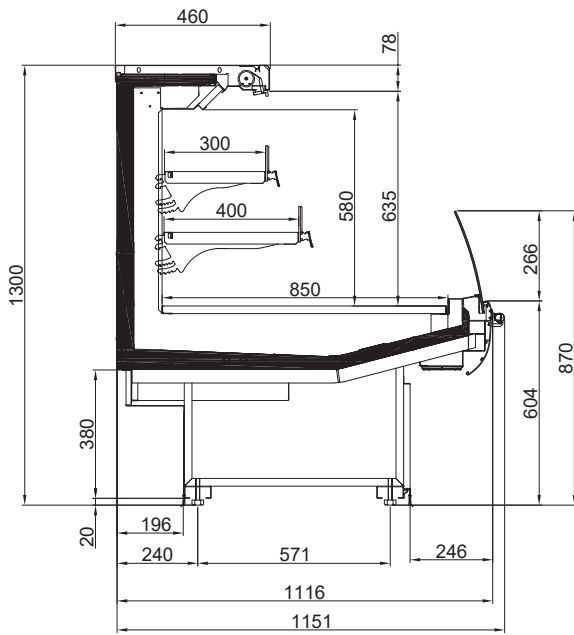


SV 12 LS-D SB Slim

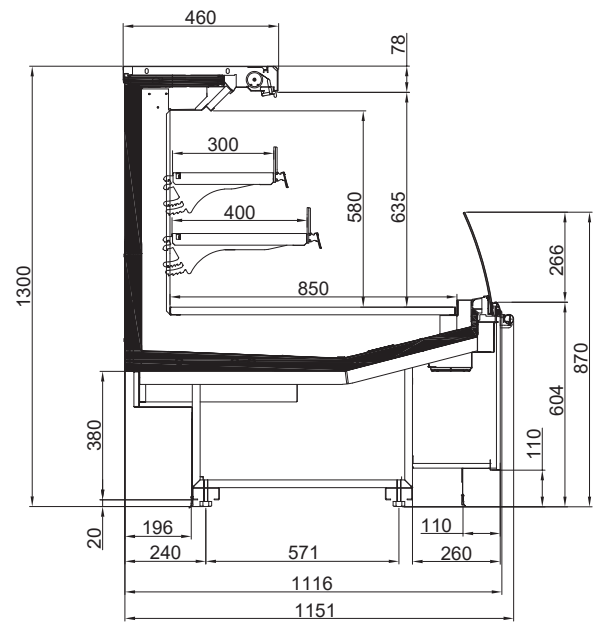


SV 12 LS-D SB Oval

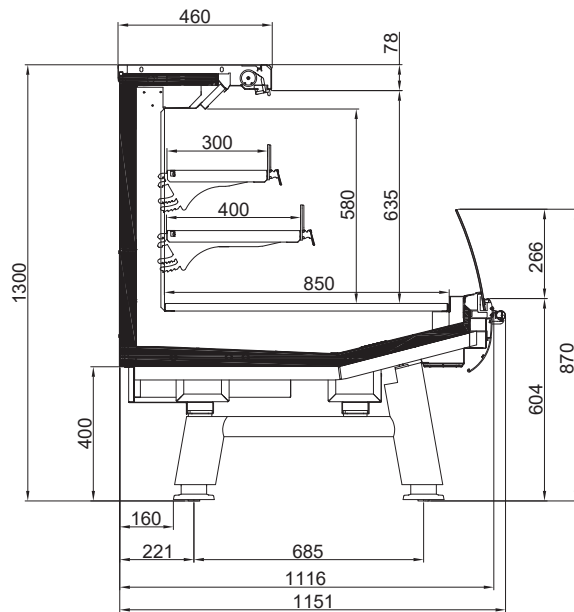
CROSS-SECTIONS



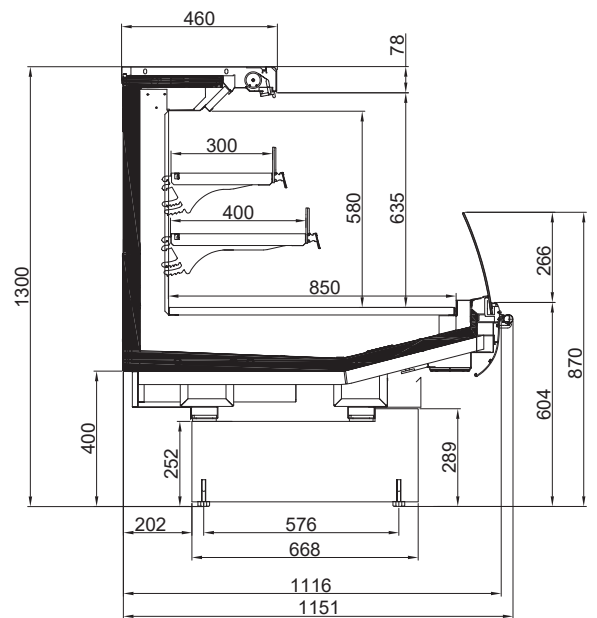
SV 13 LS-C BC



SV 13 LS-C Design

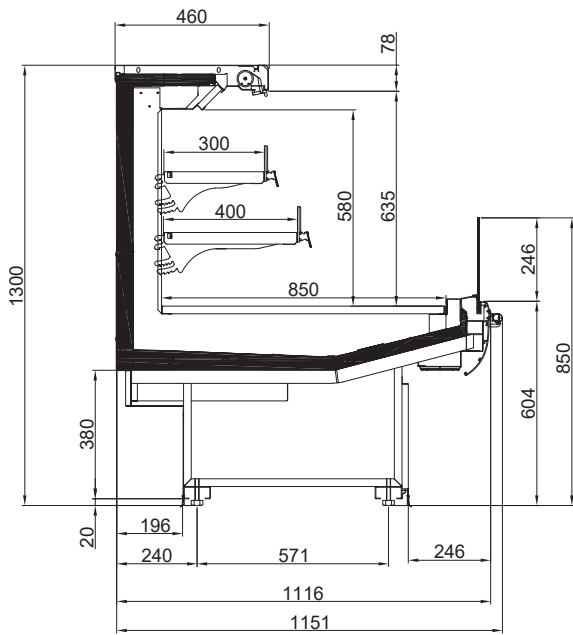


SV 13 LS-C SB Slim

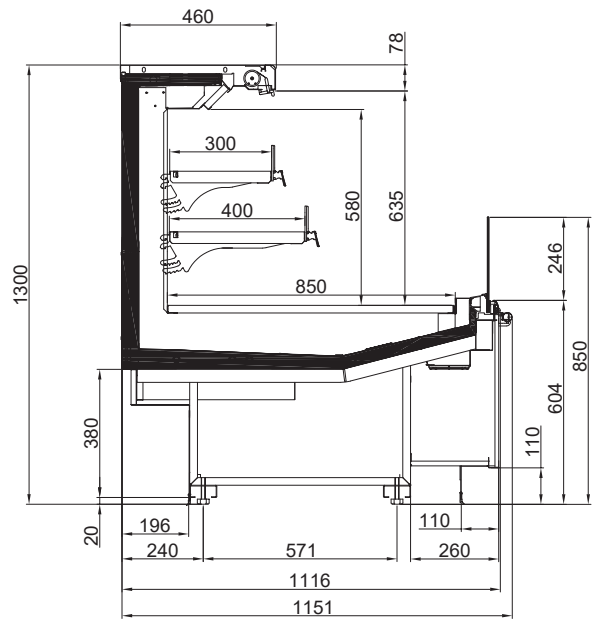


SV 13 LS-C SB Oval

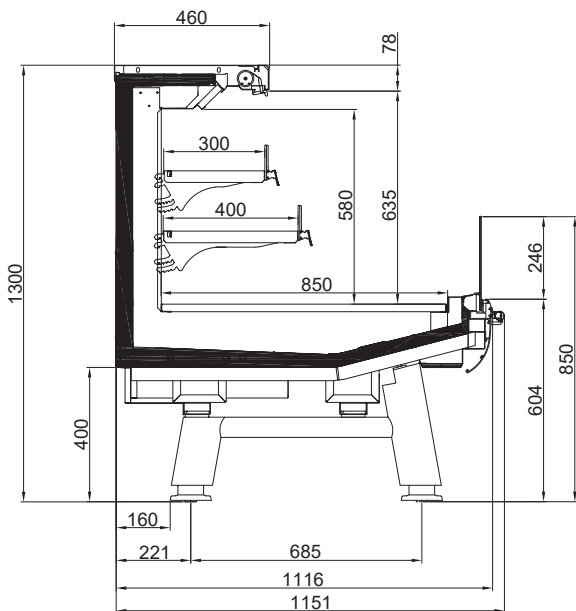
CROSS-SECTIONS



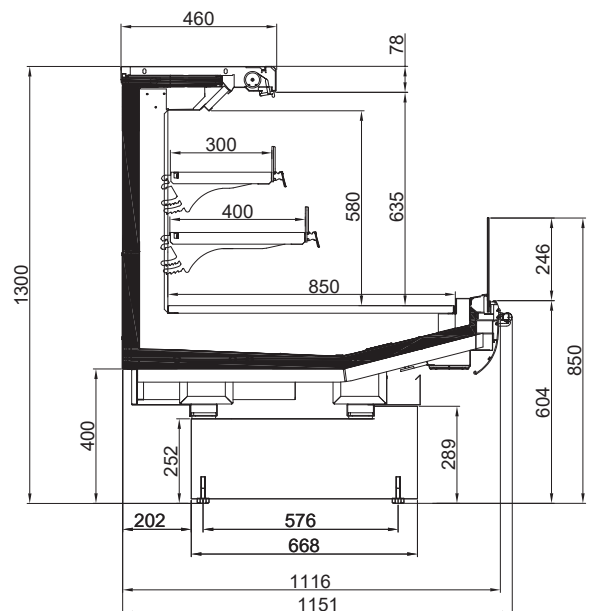
SV 13 LS-D BC



SV 13 LS-D Design

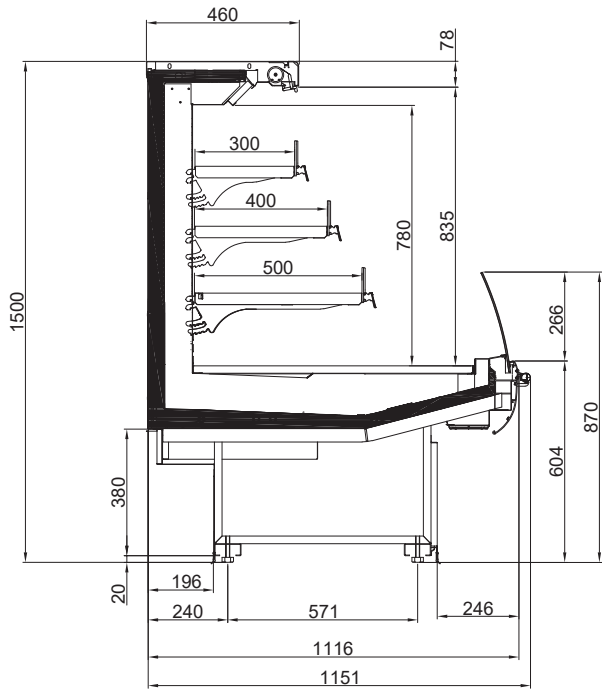


SV 13 LS-D SB Slim

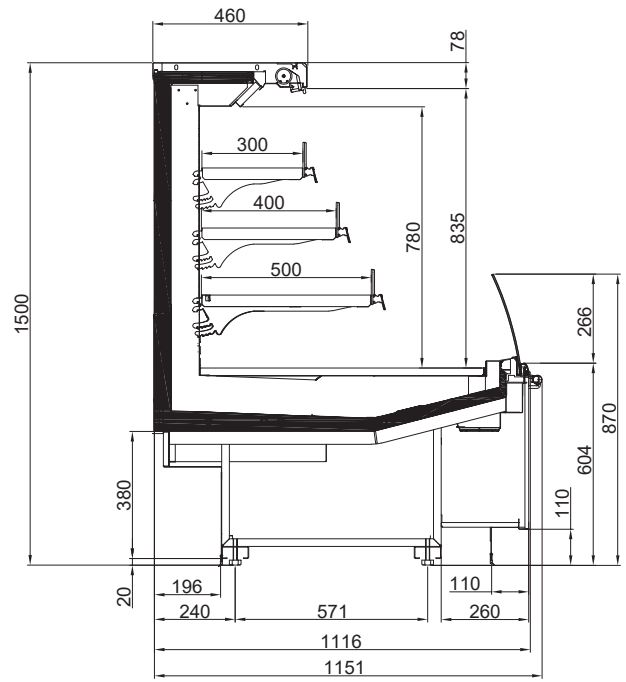


SV 13 LS-D SB Oval

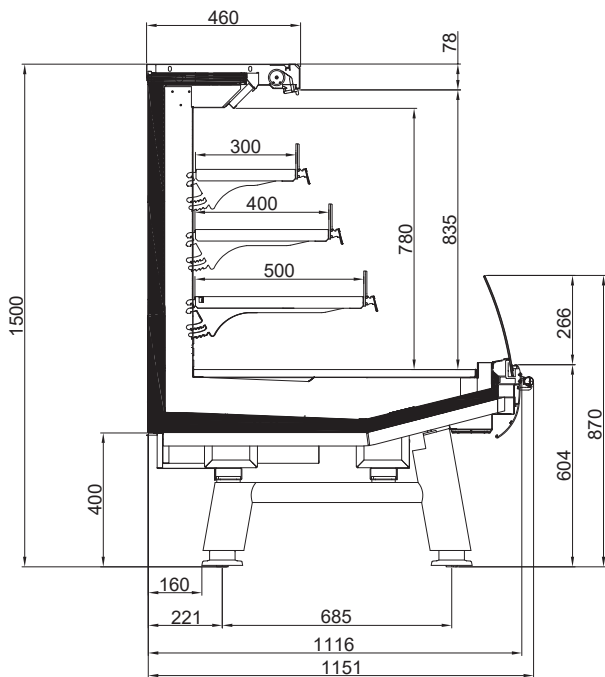
CROSS-SECTIONS



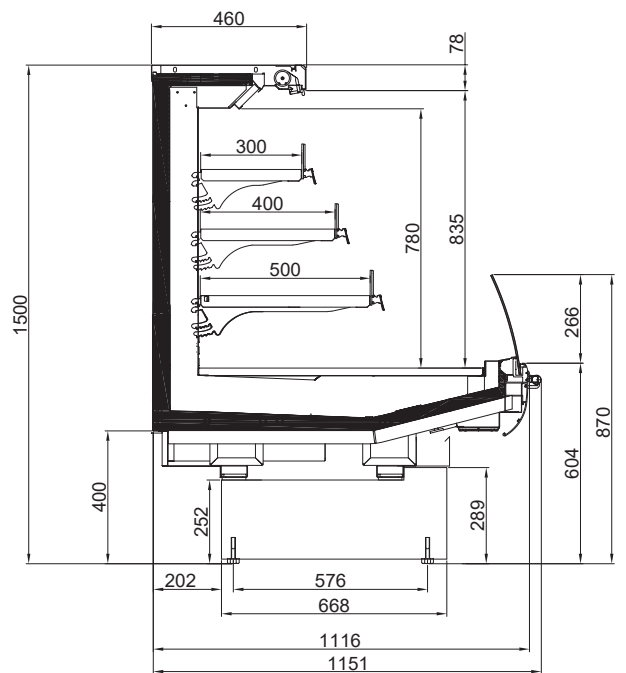
SV 15 LS-C BC



SV 15 LS-C Design

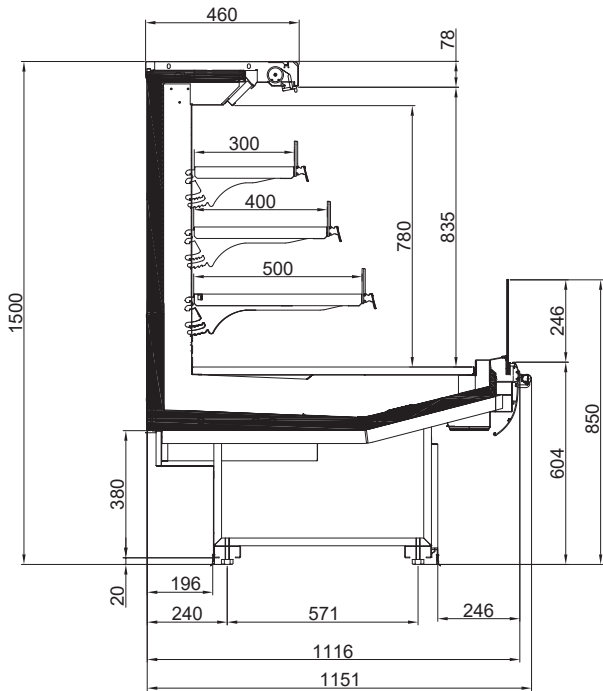


SV 15 LS-C SB Slim

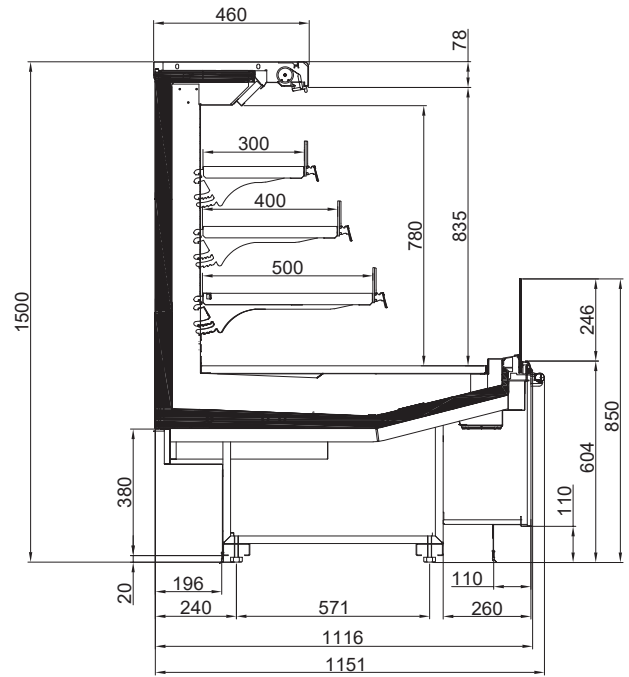


SV 15 LS-C SB Oval

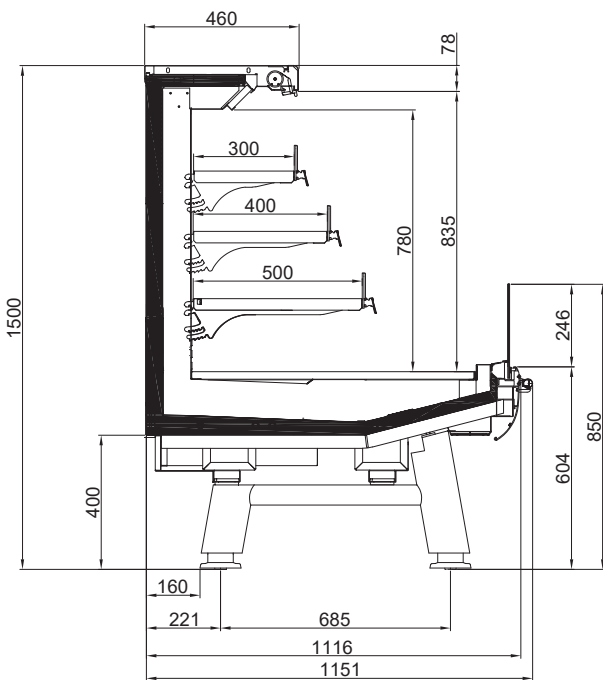
CROSS-SECTIONS



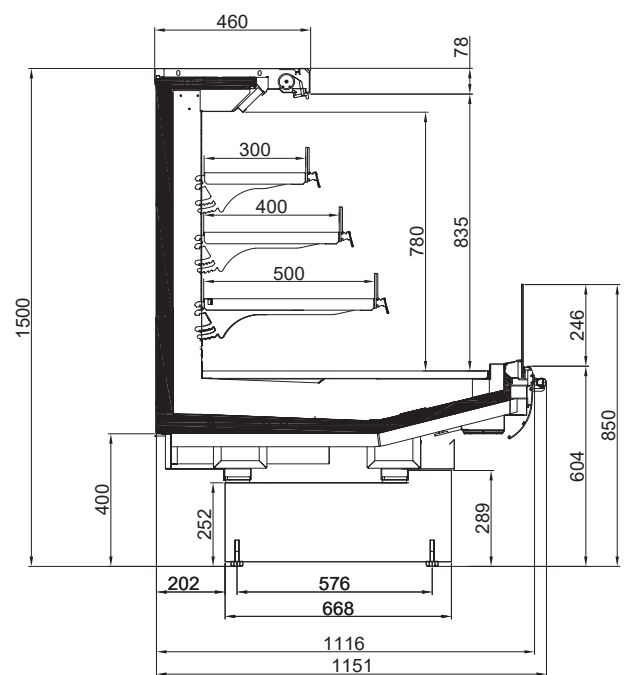
SV 15 LS-D BC



SV 15 LS-D Design



SV 15 LS-D SB Slim



SV 15 LS-D SB Oval